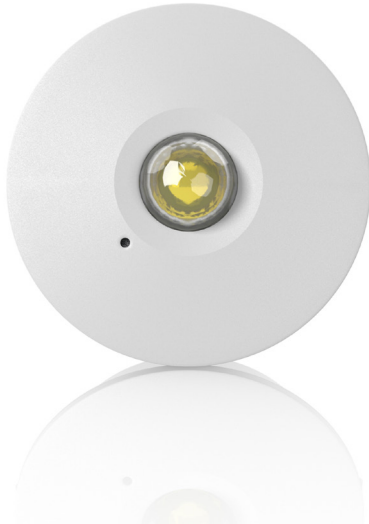
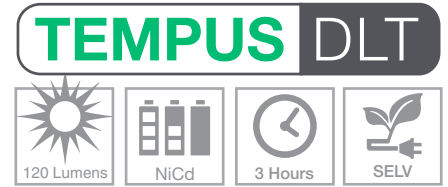


TEMPUS DLT

Emergency LED Downlight

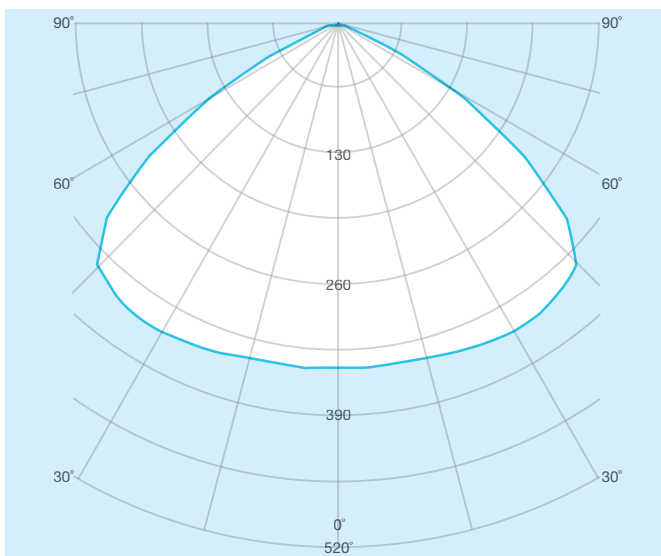


The TEMPUS DLT is a non-maintained LED downlight suitable for indoor use in open area, emergency lighting applications. With constant current SELV output.

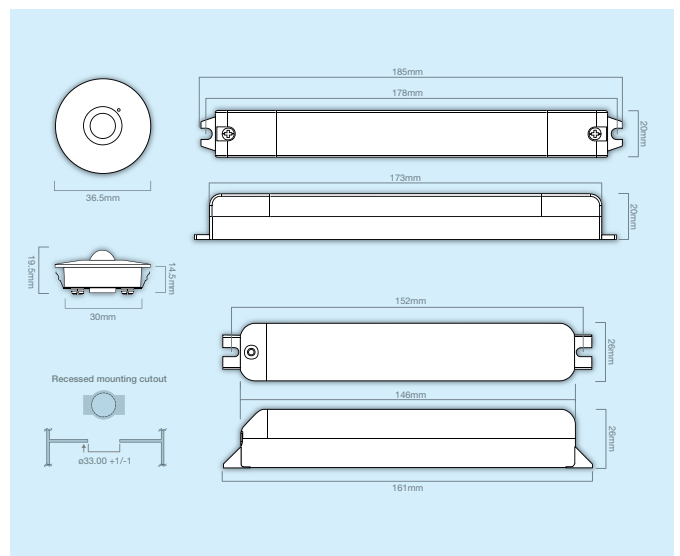
Key features:

- Slim, lightweight design
- Efficient LED light source
- SELV compliant
- Integral status indicator
- 3 hours emergency duration
- Standard technology

Photometry



Dimensions



Specifications

| | | | |
|--------------------------|----------------|--------------------|------------|
| Supply voltage | : 220-240 V AC | Ingress protection | : IP20 |
| Supply frequency | : 50/60 Hz | Protection class | : Class II |
| Supply current (max) | : 25mA | Luminous flux | : 120 lm |
| Power factor | : 0.32 | CCT | : 4000K |
| Input power (max) | : 1.3 W | Ra/CRI | : 85 |
| Ambient temperature (ta) | : 0-45°C | Emergency duration | : 3 hours |
| Efficacy | : 100 lm/W | | |

Order codes

| Order Code | Description |
|------------|----------------------|
| 9005967 | TEMPUS DLT Downlight |

Batteries

TEMPUS DLT is available with a rechargeable NiCd 1.8Ah 3C battery.