

TEMPUS DLT+

Emergency LED Downlight

TEMPUS DLT+



180 Lumens



NiMH



Smart Charge



SELV

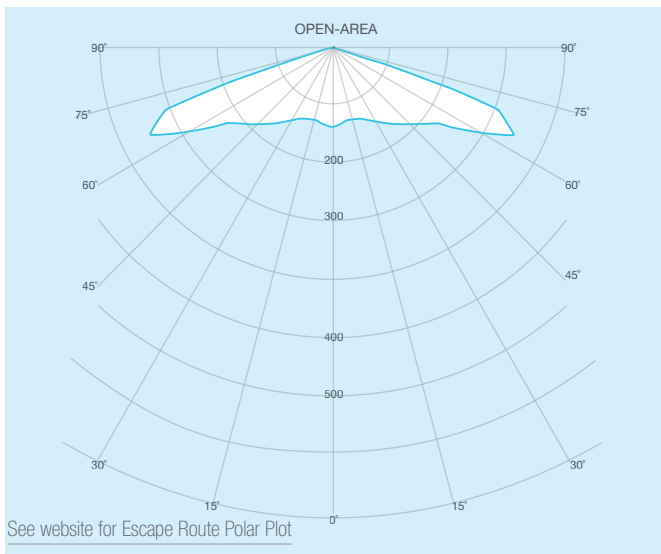


The TEMPUS DLT+ is a non-maintained LED downlight with constant current SELV output suitable for indoor use in Open Area and Escape Route emergency lighting applications.

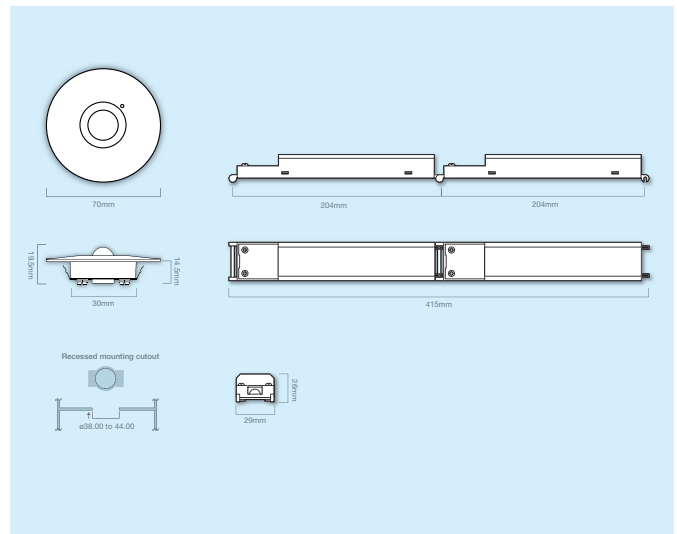
Key features:

- Slim, lightweight design
- Efficient LED light source
- SELV compliant
- Integral status indicator
- SmartCharge for NiMH Batteries
- 3 hours emergency duration

Photometry



Dimensions



Specifications

Supply voltage	: 220-240 V	Protection class	: Class II
Supply frequency	: 50/60 Hz	Emergency duration	: 3 hours
Supply current (max)	: 30 mA	Recharge period	: 24 hours
Power factor	: 0.45	Lumen output	: 180 lm
Total circuit power (max)	: 2.2 W	IP rating	: IP20
Total circuit power (nom)	: 0.9 W	CCT	: 5000K
Ambient temperature (ta)	: 0°C to +35°C		

Batteries

TEMPUS DLT+ is available with a rechargeable NiMH 2.2Ah 3.6V battery.

Order codes

Order Code	Description
9006036	TEMPUS DLT+ with Open Area lens
9006038	TEMPUS DLT+ with Escape Route lens
9006037	TEMPUS DLT+ DALI with Open Area lens
9006039	TEMPUS DLT+ DALI with Escape Route lens