

IP65 8WT5 Bulkhead and Exit Sign Luminaires

Aviator

Supplied with an IP65 rated polycarbonate base and attractive polycarbonate fresnel lens, **Aviator** luminaires provide 100 lumen output as standard, with the fresnel lens creating cost effective opportunities to minimise the number of luminaires required within an installation.

Aviator luminaires can be surface mounted or semi-recessed and have the option to be easily fitted with painted steel framed acrylic legend blades or with self-adhesive EC or ISO Exit Sign Kits.

OPERATION

The **Aviator** luminaires are available with mains only or Maintained emergency operation. All emergency versions provide 3 hour duration from integral high temperature Nickel Cadmium (NiCd) batteries. Maintained versions can be used for standard switched mains lighting but will automatically provide emergency lighting in the event of a complete loss of normal mains supply. (Non-maintained operation is available by excluding a switched live supply). Accessories such as self-adhesive pictogram legend panels, semi-recessing bezels and tamper-proof screws are available to complete the range.

The luminaires fully comply to the requirements of EN60598.2.22

DALI/Self-Test Options:

The **Aviator** 8WT5 luminaires can be specified with integral DALI/Self-Test gear providing automatic Self-Test in accordance with BSEN62034 or fully interoperable DALI operation when connected to a DALI control system.

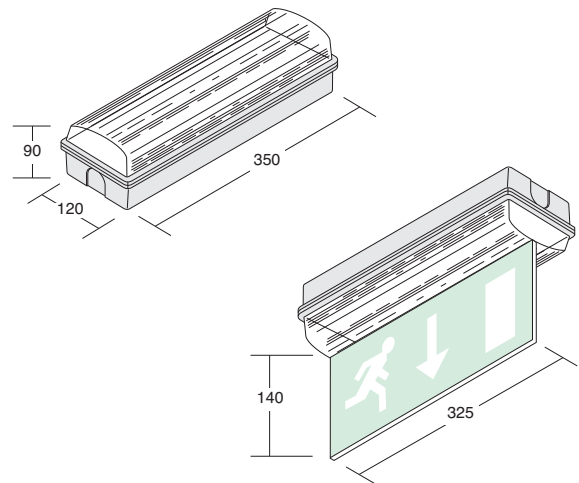


Self-Test



GENERAL DETAILS

Product	Bulkhead and Exit Sign	
Light source	8WT5	
Luminaire Lumens	100lm (emergency)	400lm (mains only)
Sign viewing distance	28m (/BLD)	
Construction	Polycarbonate base and clear fresnel lens	
Geartray	Hinged white painted steel	
Dimensions	350mm (L) x 120mm (W) x 90mm (H)	
Cable entry	20mm holes in back	



IP65 8WT5 Bulkhead and Exit Sign Luminaires

SPECIFICATION

	Maintained	Mains only
Light source	1 x 8Watt T5	
Colour temperature	3500K	
Luminaire lumens (mains)	100lm	100lm
Luminaire lumens (emergency)	100lm	—
IP rating	IP65	
Ambient temperature (Ta)	25°C	
Insulation class	Class I	
Supply voltage	230V +/- 10% ~ 50Hz	
Supply current	90mA	60mA
Supply power (mains)	16W	11W
Charge power (typical)	3.75W	—
Battery	2.4V 4.5Ah NiCd	—
Weight	1.4kg	1.0kg

AVIATOR – Emergency Lighting Spacings

Mounting height Hm (m)	Trans. to wall	Trans. to trans.	Axial to trans.	Axial to axial	Axial to wall	
2.5	2.0	6.9	6.1	3.6	1.1	1 Lux min. at centre
4.0	1.5	5.7	5.3	3.4	0.5	
2.5	3.4	9.7	8.0	5.2	1.7	0.5 Lux min. (open)
4.0	2.5	9.5	7.8	5.0	1.0	

ORDER CODES

ORDER CODES	Description
AV/M3	Maintained emergency 8 watt polycarbonate bulkhead with fresnel lens
AV/230	Mains only 8 watt polycarbonate bulkhead with fresnel lens

OPTIONS: **/DALI** DALI or Self-Test emergency operation
/OP Opal Diffuser; **/RB** Semi-Recessing Bezel; **/WG** Wire Guard;

BLADE EXIT OPTIONS: **AV/BLD/ECAR** EC format – Arrow Right/Left
AV/BLD/ECAD EC format – Arrow Down
AV/BLD/ISOAR ISO format – Arrow Right/Left
AV/BLD/ISOAU ISO format – Arrow Up

SELF-ADHESIVE SIGN KITS: **AV/LEG/KIT/EC** EC format Self-adhesive kit
AV/LEG/ISOAR ISO format Self-adhesive – Arrow Right
AV/LEG/ISOAL ISO format Self-adhesive – Arrow Left
AV/LEG/ISOAU ISO format Self-adhesive – Arrow Up