

High-End Architectural LED Exit Signs

Mexodus Range

Very high sign luminance – ideal for brightly lit environments

The ELP **Mexodus** range of high quality LED exit sign luminaires is perfectly suited to modern architectural environments. Offering ease of installation, these exit sign luminaires have an attractive flat design with the exit legend being framed by a high quality aluminium extrusion measuring just 237x137mm.

The specially screened light-conducting panel ensures a uniform illumination and due to their high luminance of $>500\text{cd/m}^2$ are ideal for use in brightly lit environments. Along with their slim design and four different mounting options, **Mexodus** luminaires are DALI addressable and offer countless possibilities for the seamless integration of lumen efficient exit signage into existing structures and new installations.

OPERATION

The **Mexodus** Exit range is supplied with Maintained operation as standard providing 3 hour duration. (Non-maintained operation is available by excluding a switched live supply).

Pictogram legend panels complying with the EC Safety Signs Regulations and latest ISO sign requirements are available.

The benefits of the modern white low power LEDs include long life (typically 50,000hours+), excellent energy efficiency ($>100\text{lm/W}$), low operating temperatures therefore improving the life of the internal Lithium Iron Phosphate (LiFe) batteries and good operation at low ambient temperatures.

The luminaire fully complies to the requirements of EN60598.2.22 and offers bright and even luminance across the legend panel ensuring maximum visibility in the event of an emergency.

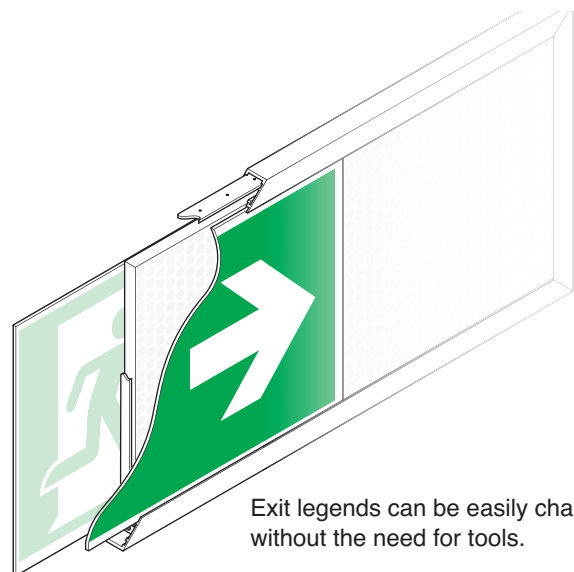
GENERAL DETAILS

Product	LED Exit Sign (DALI/Self-Test)
Light Source	10 x white LEDs
Luminaire output	Sign luminance $>500\text{cd/m}^2$
Sign viewing distance	20m
Construction	Steel and aluminium base with screen printed opal Polycarbonate legend panel
Geartray	N/A
Dimensions (max)	275mm (L) x 65mm (W) x 137mm (H)
Cable Entry	See drawings



DALI and Self-Test

As standard the **Mexodus** functions as a stand-alone Self-Test exit sign or can be connected to a DALI system and can also be configured for non-maintained, maintained or switched maintained operation.



Exit legends can be easily changed without the need for tools.

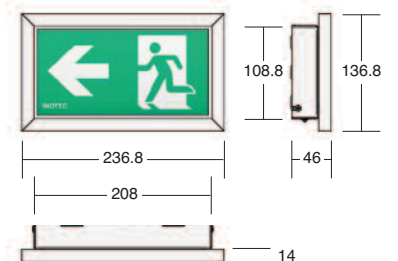
High-End Architectural LED Exit Signs

SPECIFICATION

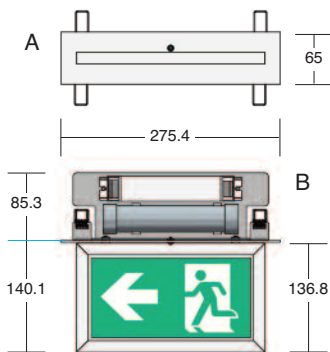
	Maintained	Mains only
Light source	10 x wide angle white LEDs	
Colour temperature	4000 to 5000K	
Luminaire lumens (mains)	N/A	N/A
Lumens (emergency)	N/A	N/A
IP rating	IP20	
Ambient temperature (Ta)	25°C	
Insulation class	Class I	
Supply voltage	230V ~ 50Hz	
Supply power	4.8W	2.4W
Charge power (typical)	1.7W	—
Battery	6.4V 1.5Ah LiFe	—
Weight	3.6kg	3.2kg



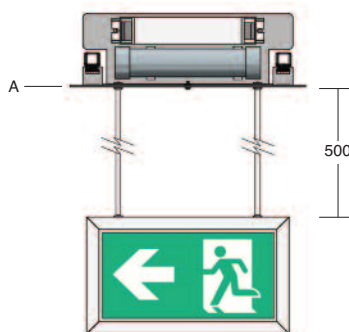
ME/WBRK/DALI/WH



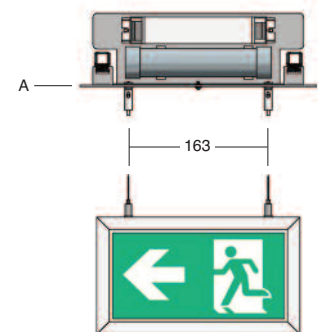
ME/RECE/DALI/WH



ME/ROD/DALI/WH



ME/WIRE/DALI/WH



NOTE:

All high mounted versions share a common fixing plate 'A' and recessed gear tray 'B'.
Wire lengths are adjustable to 1 metre.

Emergency Lighting Products Limited

Parbrook House, Gillmans Industrial Estate, Natts Lane Billingshurst, West Sussex RH14 9EZ

Telephone: +44 (0) 1403 786601 Fax: +44 (0) 1403 786602 e-mail:sales@elp.uk.com www.elp.uk.com

MEXODUSDS-04-16



High-End Architectural LED Exit Signs

ORDER CODES	Description
ME/WRK/DALI/WH	Wall mounted, white
ME/RECE/DALI/WH	Ceiling mounted, recessed, white
ME/WIRE/DALI/WH	Wire suspended, white
ME/ROD/DALI/WH	Rod suspended, white
OPTIONS:	/GR Grey painted finish /DS Double sided
LEGENDS:	/ECAR EC Format — Arrow Right /ECAL EC Format — Arrow Left /ECAD EC Format — Arrow Down /ISOAR ISO Format — Arrow Right /ISOAL ISO Format — Arrow Left /ISOAU ISO Format — Arrow Up

