

## Circular LED Luminaires

# Nautilus 2

### PERFORMANCE BETTER THAN 38 WATT 2D

The **Nautilus 2** range offers decorative surface mounted circular luminaires incorporating high output white LEDs within a 'sealed' polycarbonate light source enclosure minimising loss of efficacy due to dirt. The mains driver and emergency lighting gear is installed in the back of the housing away from internal heat sources. The main luminaire housing is installed by twisting on to the first fix ring. The **Nautilus 2** range offers an exceptional opportunity to design contemporary lighting installations with aesthetic luminaires specifically designed to offer mains only or maintained emergency lighting with integral Micro-Wave presence detectors for switching the mains operation where required. **Nautilus 2** luminaires comply with EN60598.

### OPERATION

The **Nautilus 2** luminaires provide 2440 Luminaire Lumens at <30Watts (84lm/W).

The luminaires are available with mains only or 3hour duration Maintained emergency operation. Mains and emergency versions may be specified with an integral Micro-Wave presence detector to switch the mains lighting. Sensitivity, 'on' time and ambient light levels can be selected during installation.

The emergency lighting versions utilise integral high temperature Nickel Cadmium batteries. Maintained versions can be used for standard switched mains lighting but will automatically provide emergency lighting in the event of a complete loss of normal mains supply.

### DALI/Self-Test Options:

The **Nautilus 2** LED luminaires can be specified with integral DALI/Self-Test gear providing automatic Self-Test in accordance with BSEN62034 or fully interoperable DALI operation when connected to a DALI control system.



Self  Test

### GENERAL DETAILS

|              |   |
|--------------|---|
| Product      | Decorative circular luminaire                 |
| Light source | White LEDs (3480lm)                           |
| Construction | Polycarbonate housing<br>Steel first fix ring |
| Geartray     | Back of main housing                          |
| Dimensions   | 360mm dia. (max) x 65mm                       |
| Cable entry  | Through first fix ring                        |

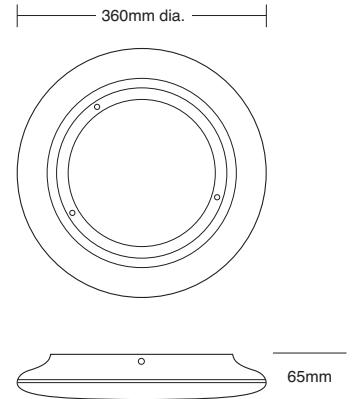


All details and specifications shown in this document are deemed correct at time of publication. The right to modify equipment, change specifications and instructions without notice, is reserved as part of the Emergency Lighting Products Limited policy of continuous development and improvement. We endeavour to keep all our customers informed of any alterations as and when they occur.

## Circular LED Luminaires

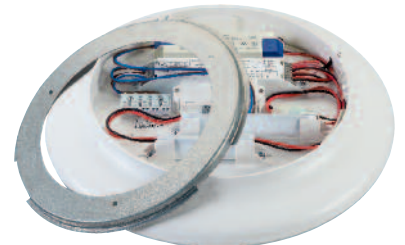
### SPECIFICATION

|                              | Maintained                      | Mains only |
|------------------------------|---------------------------------|------------|
| Light source                 | Surface mount White LEDs 3480lm |            |
| Colour temperature           | 4000 to 5000K                   |            |
| Luminaire lumens (mains)     | 2440lm                          | 2440lm     |
| Luminaire lumens (emergency) | 230lm                           | —          |
| IP Rating                    | IP20                            |            |
| Ambient temperature (Ta)     | 25°C                            |            |
| Insulation class             | Class II                        |            |
| Supply voltage               | 230V~50Hz                       | —          |
| Supply power                 | 32.5W                           | 29W        |
| Charge power (typical)       | 3.5W                            | —          |
| Battery                      | 1x6.0V 2.0Ah NiCd               | —          |
| Weight                       | 3.5kg                           | 2.6kg      |



### NAUTILUS 2 — Emergency Lighting Spacings

|   | Mounting height<br>Hm (m) | Fitting to Wall | Fitting to Fitting |                        |
|---|---------------------------|-----------------|--------------------|------------------------|
| <b>Nautilus 2</b><br>operating in<br>emergency mode | 2.5                       | 4.7             | 11.2               | 1 Lux min<br>at centre |
|   | 4.0                       | 5.0             | 12.9               |                        |
|   | 2.5                       | 5.7             | 12.2               | 0.5 Lux min<br>(open)  |
|   | 4.0                       | 6.0             | 13.6               |                        |



### ORDER CODES

### Description

|                   |   |
|-------------------|---|
| <b>NT2/M3/WH</b>  | 360mm diameter Maintained emergency LED luminaire |
| <b>NT2/230/WH</b> | 360mm diameter Mains only LED luminaire           |

### OPTIONS:

|              |  |
|--------------|--|
| <b>/MW</b>   | Integral Micro-Wave presence detector          |
| <b>/DALI</b> | Self-Test or DALI emergency lighting operation |

### Emergency Lighting Products Limited

Parbrook House, Gillmans Industrial Estate, Natts Lane Billingshurst, West Sussex RH14 9EZ  
 Telephone: +44 (0) 1403 786601 Fax: +44 (0) 1403 786602 e-mail:sales@elp.uk.com [www.elp.uk.com](http://www.elp.uk.com)

NAUTILUS2DS-05-17

